

# IR Quattro HD 24m

COM1 - concealed black  
 EAN 4007841 068608  
 Article number 068608



infrared sensor



max. 8m x 8m presence

HD

4800 zones

2000 W

max. 2000 W



ideal 2,5 - 10 m



indoor sensor

iQ

iQ-mode



energy saving

5 years

manufacturer's warranty steinel-professional.de/garantie



CE

## Function description

Detection no finer! Infrared presence detector Presence Control PRO IR Quattro HD COM1 for indoors, ideal for medium to large-size offices, conference and meeting rooms, classrooms and lecture theatres, sports halls and warehouses, installation height up to 10 m, for switching light 'ON' and 'OFF', 4800 switching zones for the ultimate in detection quality, presence detection over a true 64 m<sup>2</sup>, square detection zone, mechanically scalable.

## Technical specifications

Dimensions (L x W x H)	70 x 120 x 120 mm	Detection angle	360 °
Manufacturer's Warranty	5 years	Angle of aperture	160 °
Settings via	Remote control, DIP switches, Potentiometers, Smart Remote	Sneak-by guard	Yes
With remote control	No	Capability of masking out individual segments	No
Version	COM1 - concealed black	Electronic scalability	No
PU1, EAN	4007841068608	Mechanical scalability	Yes
Type	Presence detector	Reach, radial	8 x 8 m (64 m <sup>2</sup> )
Application, place	Indoors	Reach, tangential	20 x 20 m (400 m <sup>2</sup> )
Application, room	classroom, lecture hall, open-plan office, high-bay warehouse, production facilities, conference room / meeting room, duty room, recreation room, changing room, sports hall, reception / lobby, multi-storey / underground car park	Reach, presence	8 x 8 m (64 m <sup>2</sup> )
Colour	black	Switching zones	4800 switching zones
Colour, RAL	9005	Functions	Normal / test mode, Semi-/fully automatic, Pushbutton / switch mode, Manual ON / ON-OFF, Constant-lighting control ON-OFF
Includes corner wall mount	No	Twilight setting	10 – 1000 lx
		Time setting	30 sec – 30 min
		Basic light level function	No

# IR Quattro HD 24m

COM1 - concealed black  
EAN 4007841 068608  
Article number 068608



## Technical specifications

Installation site	ceiling
Installation	Concealed wiring, Ceiling
IP-rating	IP20
Ambient temperature	-25 – 55 °C
Material	Plastic
Mains power supply	230 V / 50 – 60 Hz
Technology, sensors	passive infrared, Light sensor
Mounting height	2,50 – 10,00 m
Mounting height max.	10,00 m
Optimum mounting height	2,8 m

Main light adjustable	No
Twilight setting TEACH	Yes
Constant-lighting control	No
Interconnection	Yes
Type of interconnection	Master/master, Master/slave
Interconnection via	Cable
Interconnection, number	max. 10 sensors

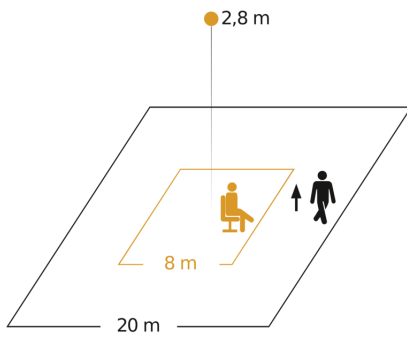
## Accessories

EAN 4007841 003036	Control PRO guard cage
EAN 4007841 009151	Remote control Smart Remote
EAN 4007841 559410	Service remote control RC8

# IR Quattro HD 24m

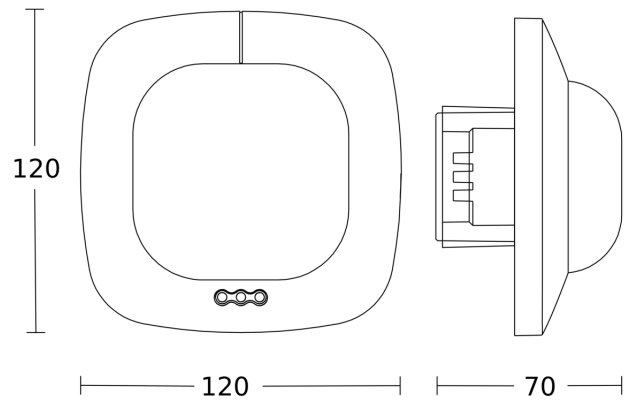
COM1 - concealed black  
EAN 4007841 068608  
Article number 068608

## Detection Zone

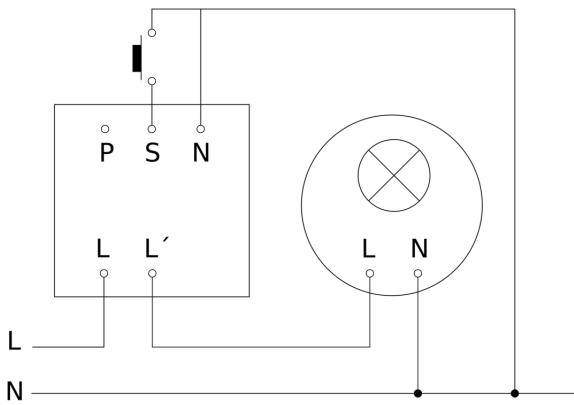


Possible mounting height: 2,50 m - 10,00 m  
Orange: presence  
Black: tangential

## Dimension Drawing



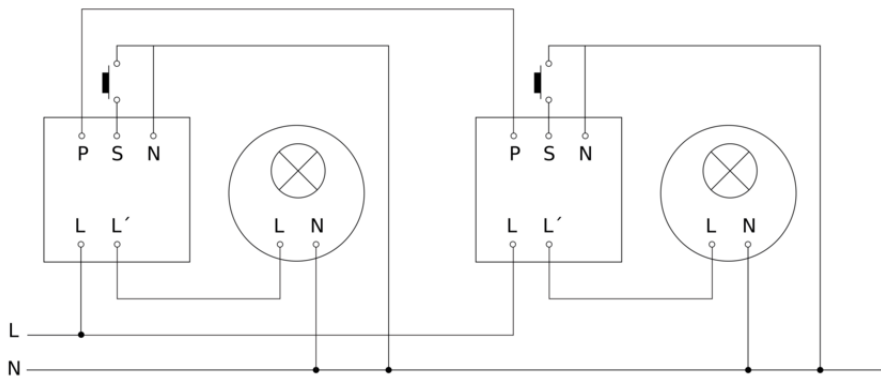
## Master circuit diagram



# IR Quattro HD 24m

COM1 - concealed black  
EAN 4007841 068608  
Article number 068608

## Master/master interconnection circuit diagram



## Master/slave interconnection circuit diagram

